

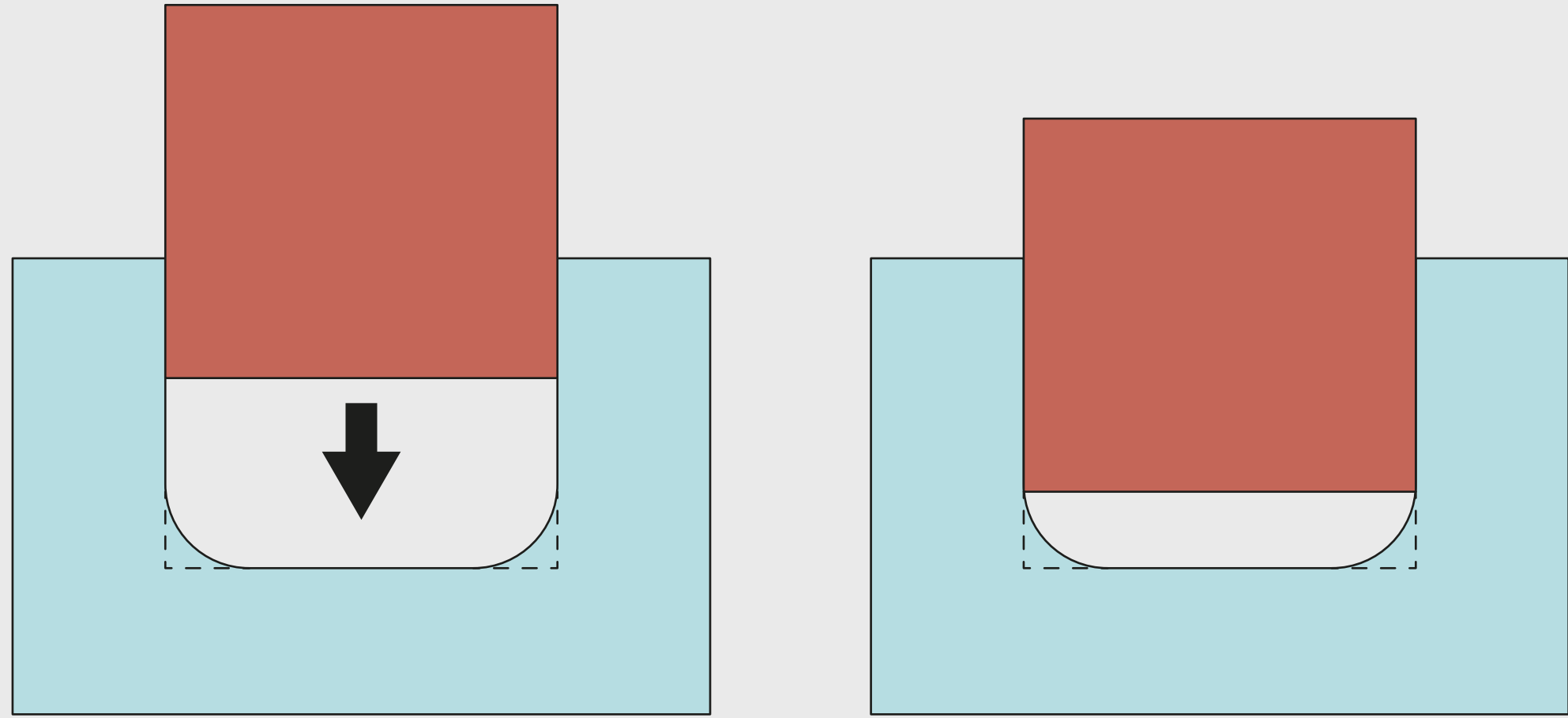


CNC WAREHOUSE

Design for Internal Corners (If your design doesn't feature CNC friendly corners, we will happily modify the design for you)

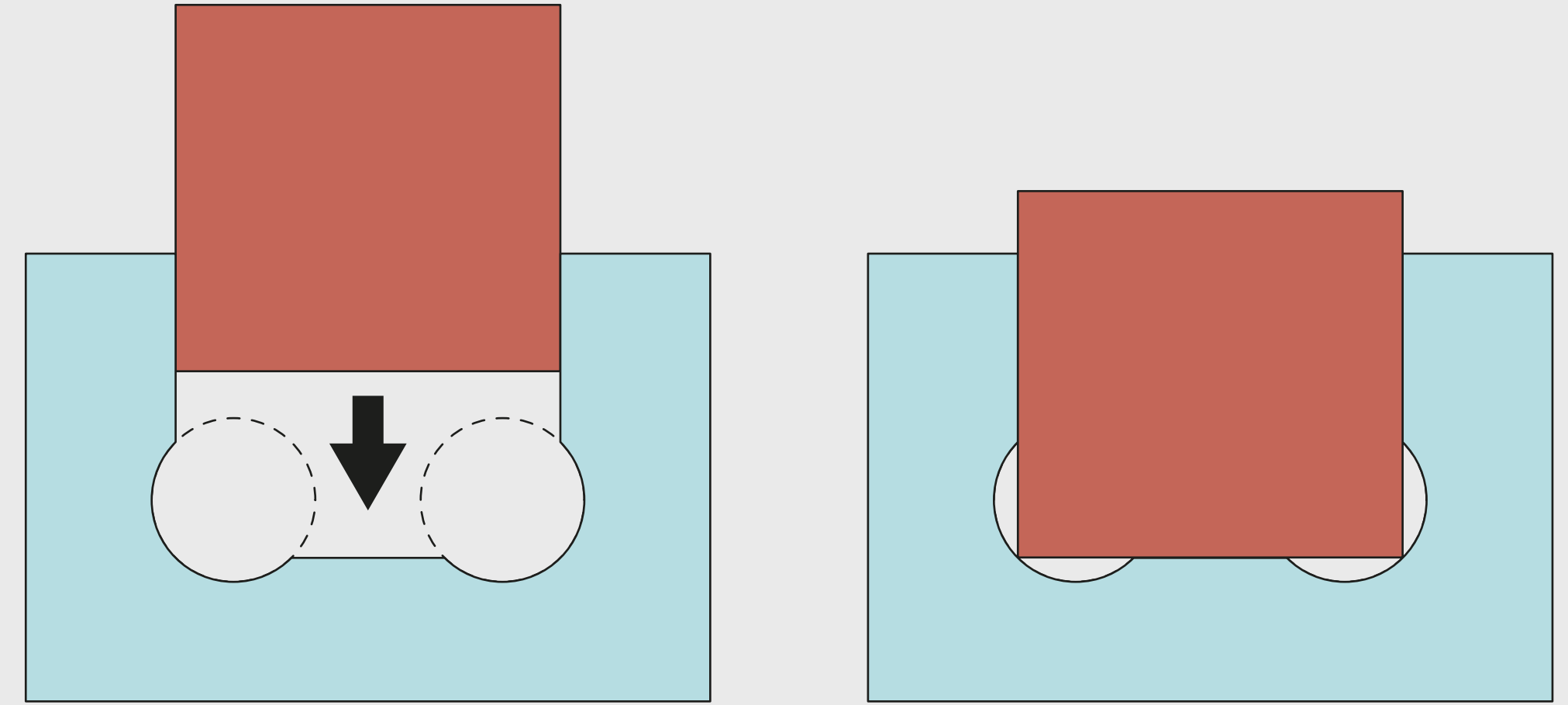
Sharp Internal Corners

90° internal corners are not possible directly on a CNC router. Internal corners will have the same radius as the tool/bit used to cut them.



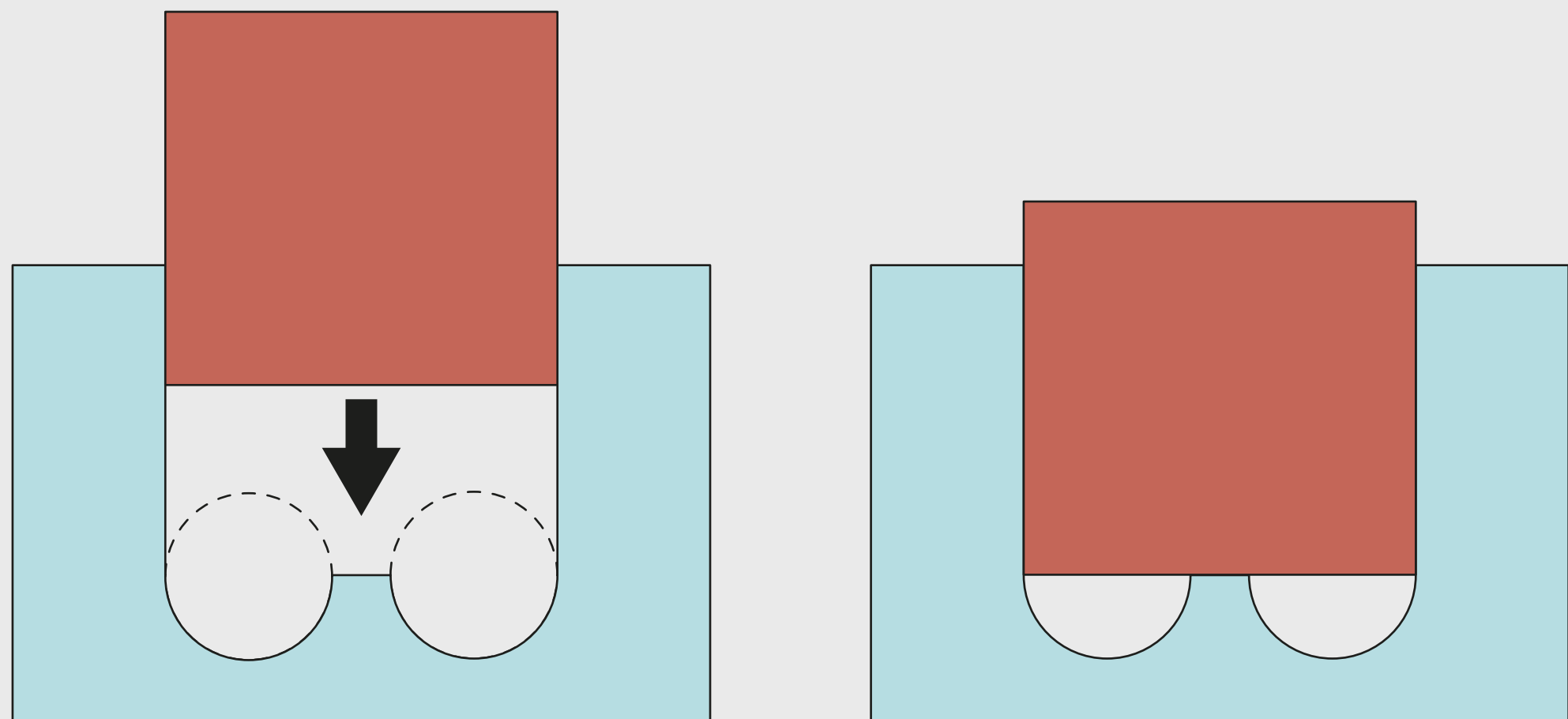
Dog Bones

The most common type of CNC fillet. Less noticeable than alternatives.



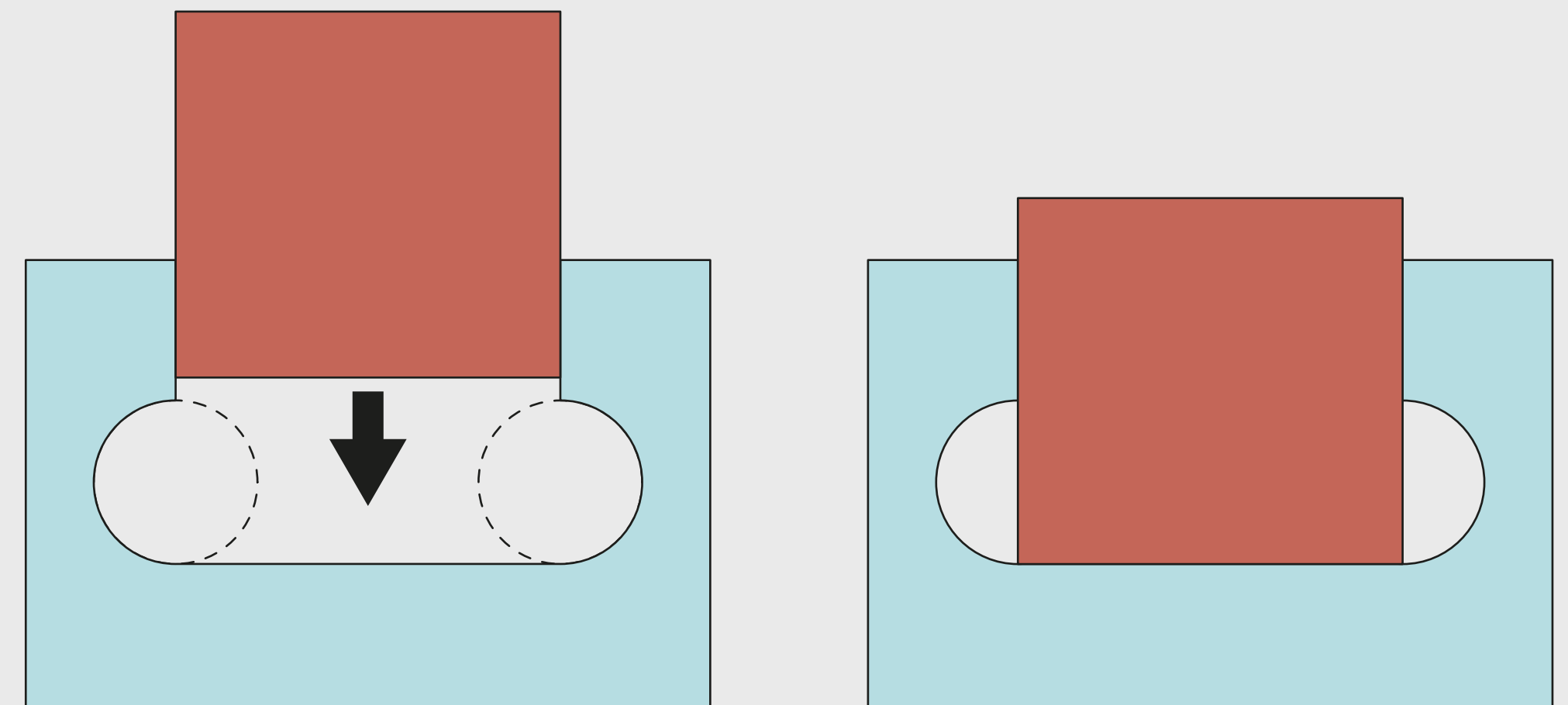
T - Bone Fillet (Vertical)

T - bones are an alternative when traditional dog bones are not suitable.



T - Bone Fillet (Horizontal)

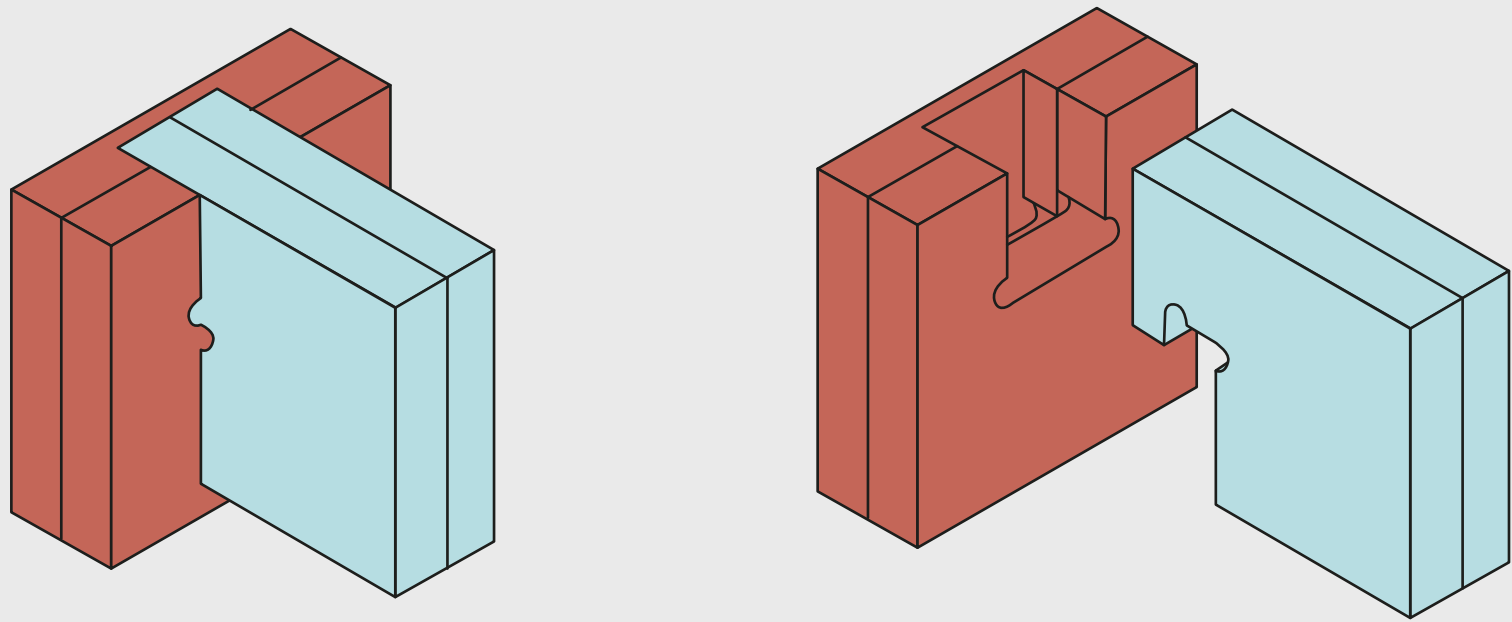
T - bones are an alternative when traditional dog bones are not suitable.



Joining with CNC

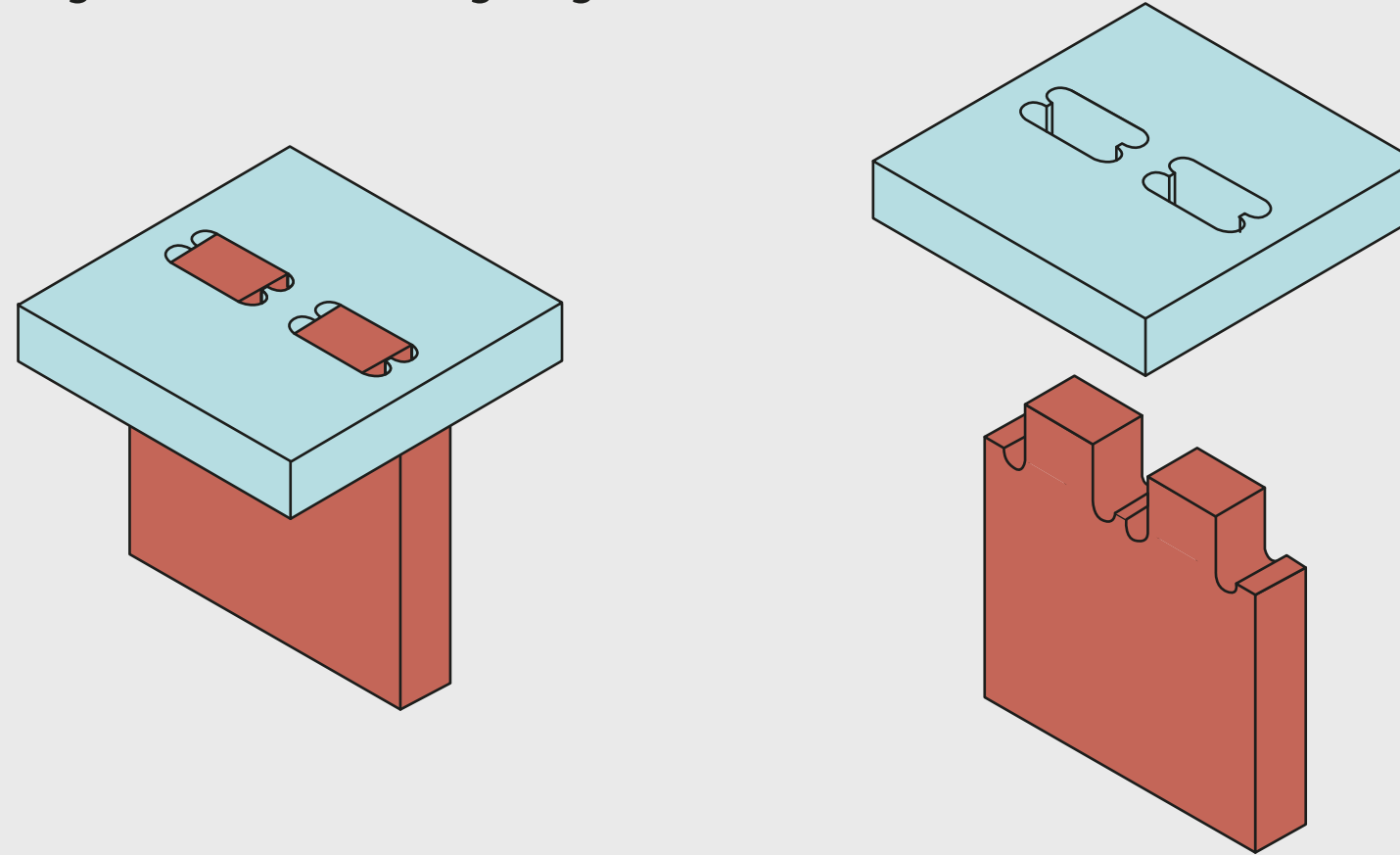
Beam joint

A temporary joint used to mount beams into vertical uprights such as a table leg.



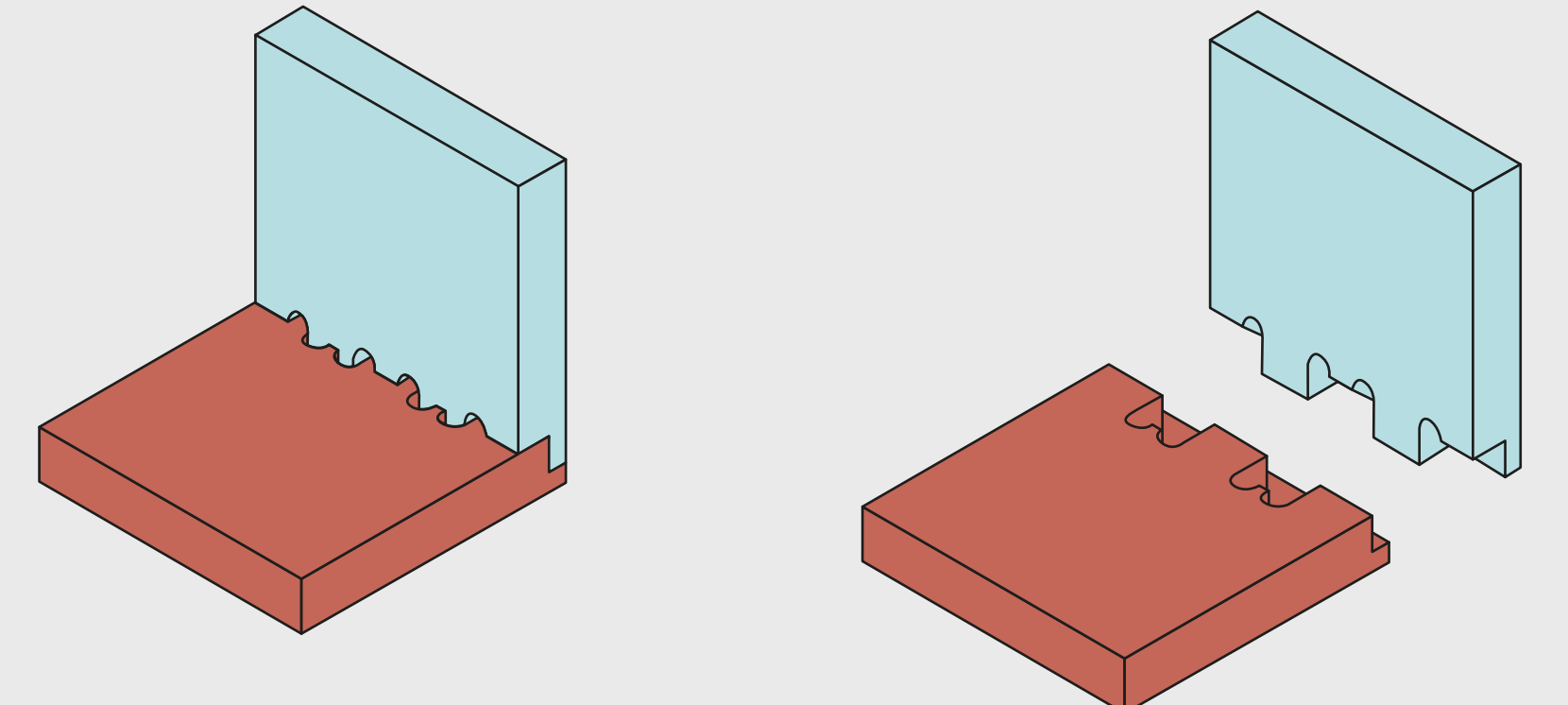
Through finger joint

A simple but strong permanent joint using teeth and through cuts. Can be concealed by pocketing holes and reducing height of teeth.



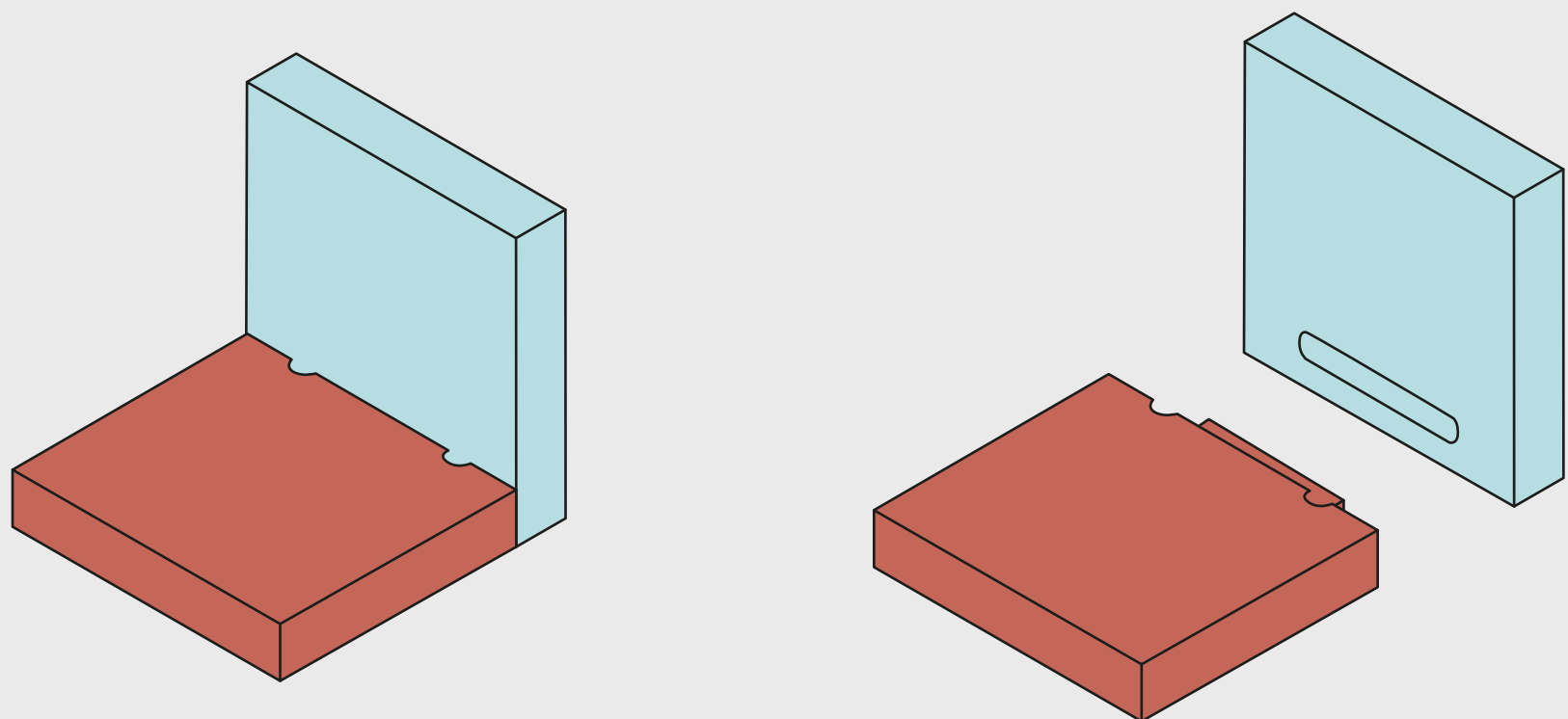
Blind finger tenon joint

Joint is concealed and visible end grain reduced.



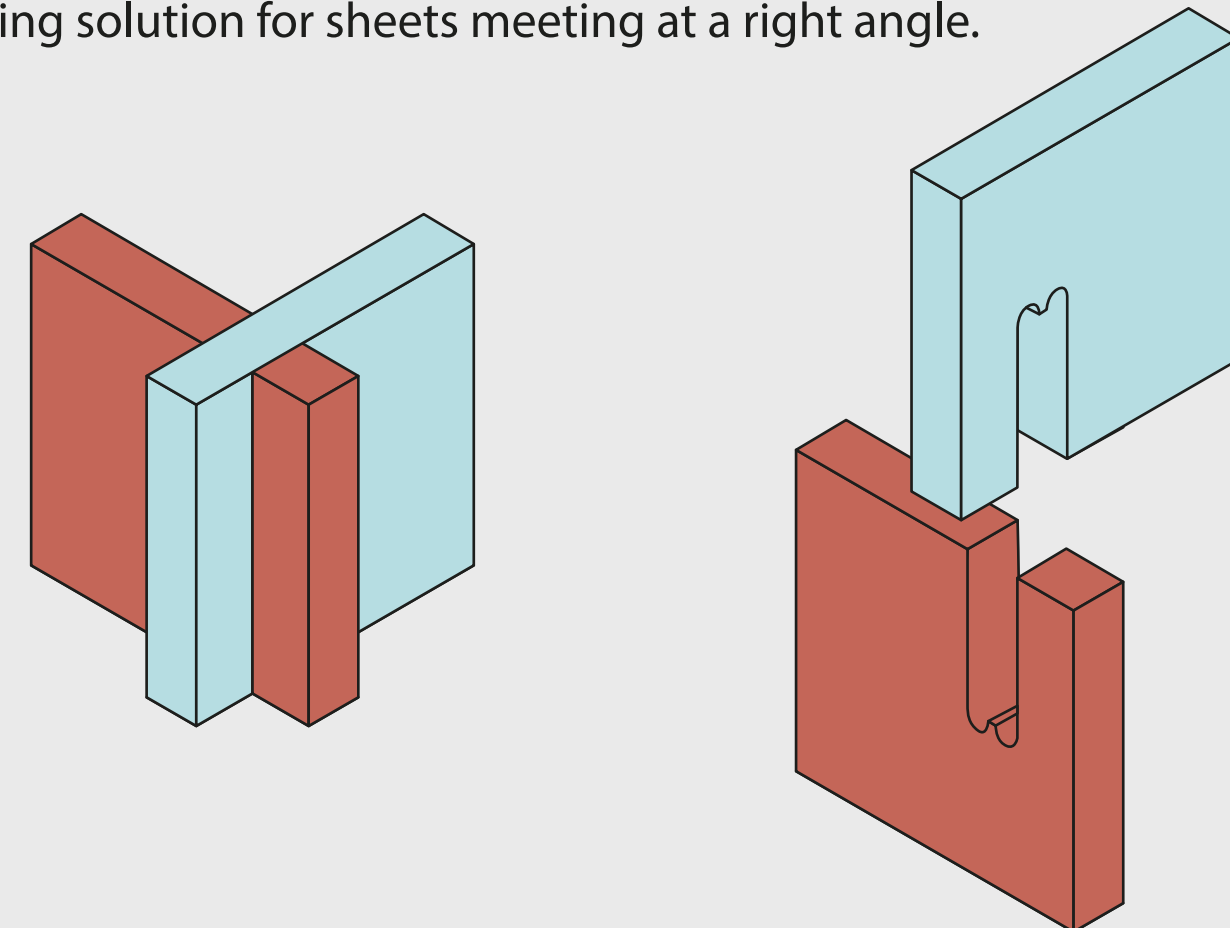
Hidden mortise and tenon

Used to join panels together at 90 degree angles.



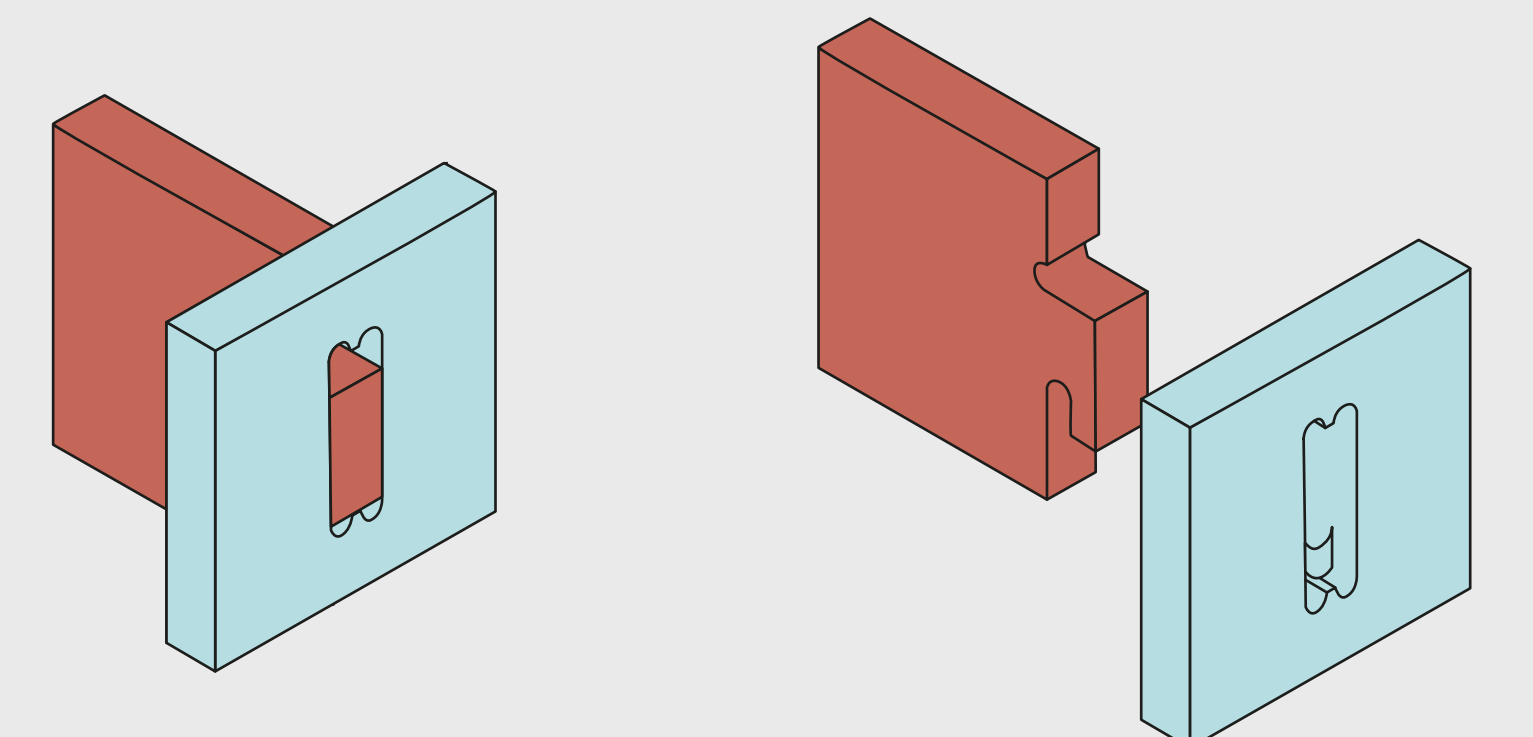
Lap joint

A simple joining solution for sheets meeting at a right angle.



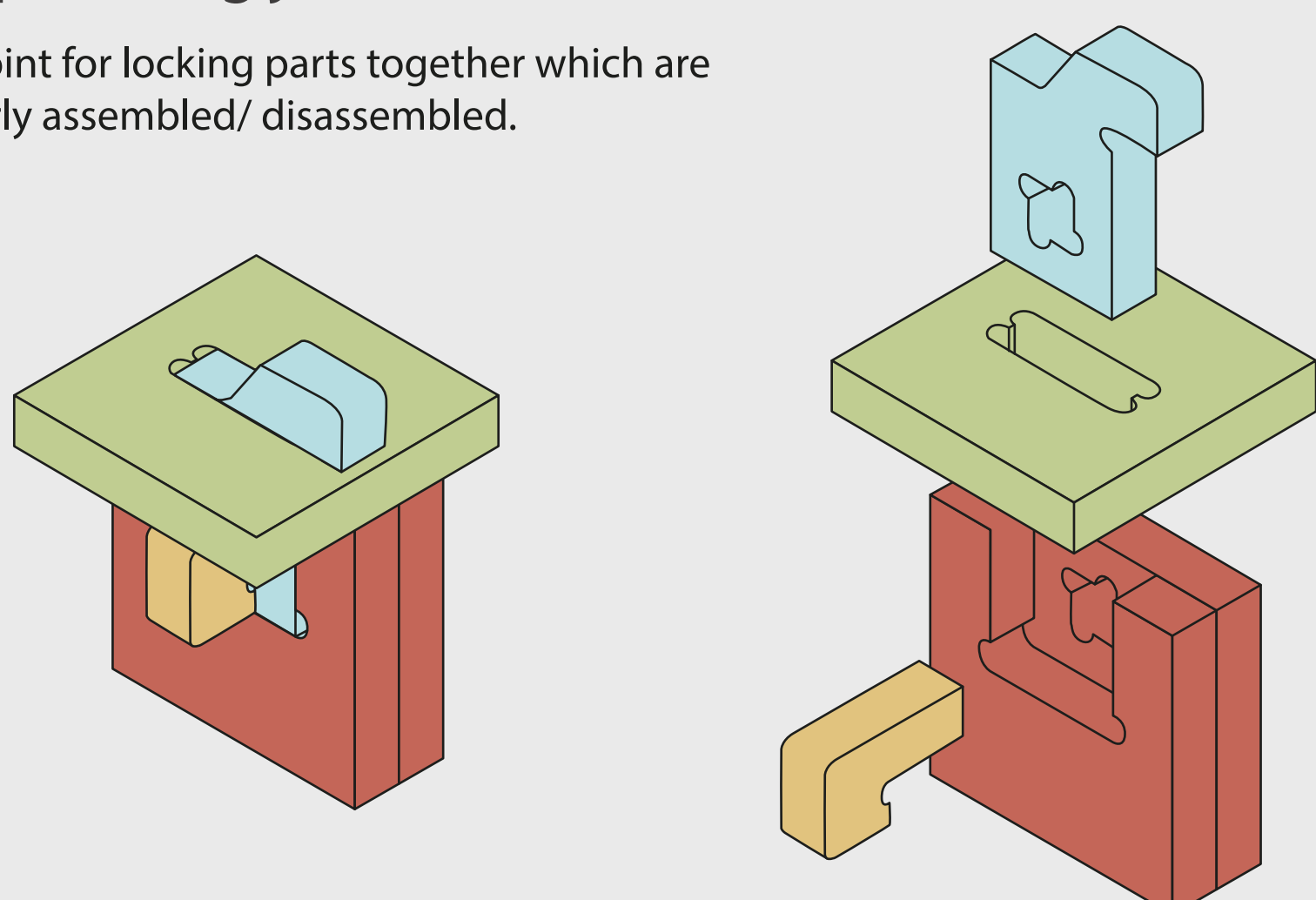
Hook joint

Often used to mount beams into a vertical upright



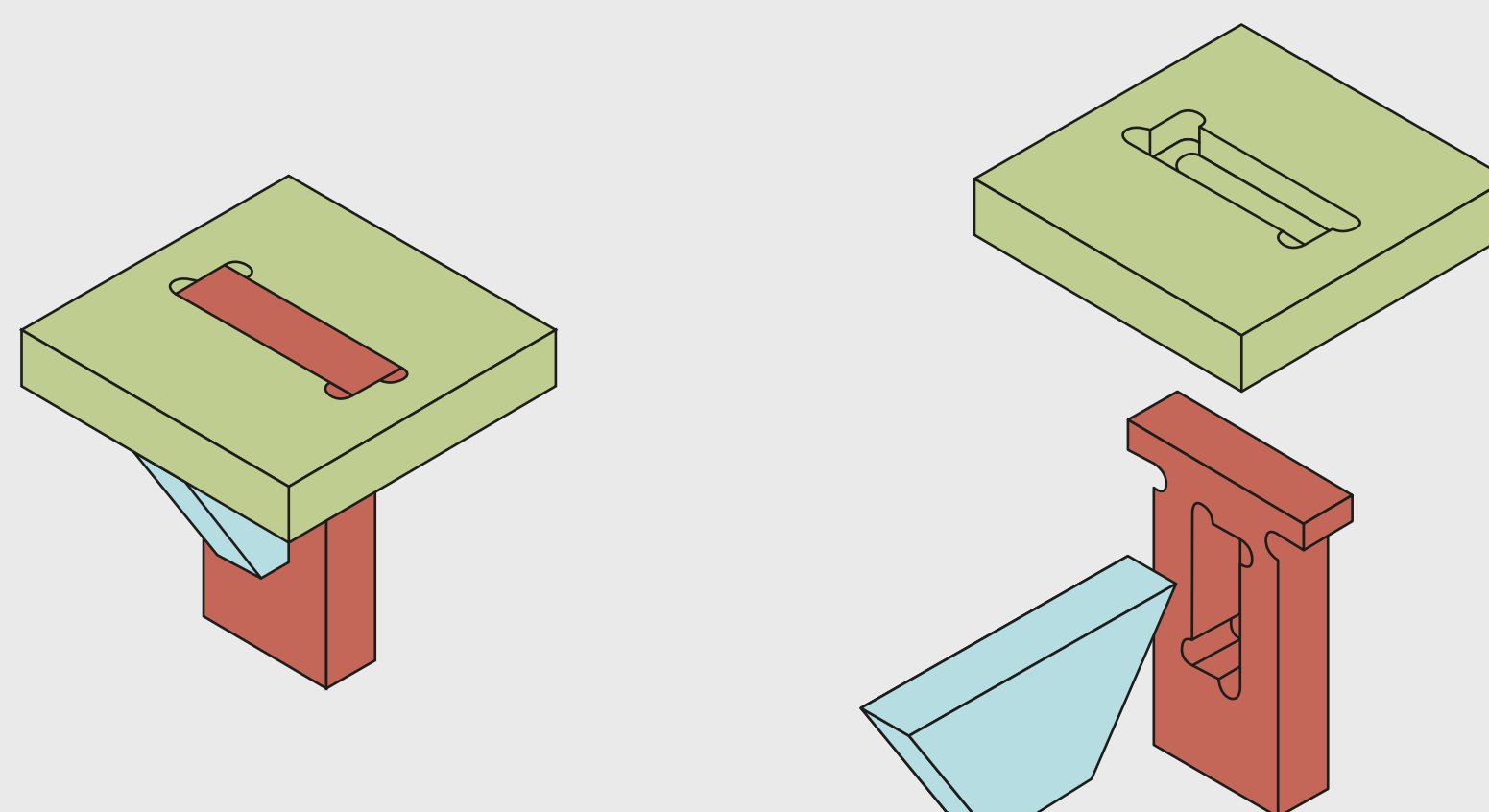
E-clip locking joint

Ideal joint for locking parts together which are regularly assembled/ disassembled.



Wedge joint

A joint that creates tension as a wedge is crushed through a hole. Wedge will fatigue over time if furniture is regularly assembled/ disassembled.



Hinge joint

A simple CNC hinge solution where square teeth rotate within circular pockets.

